

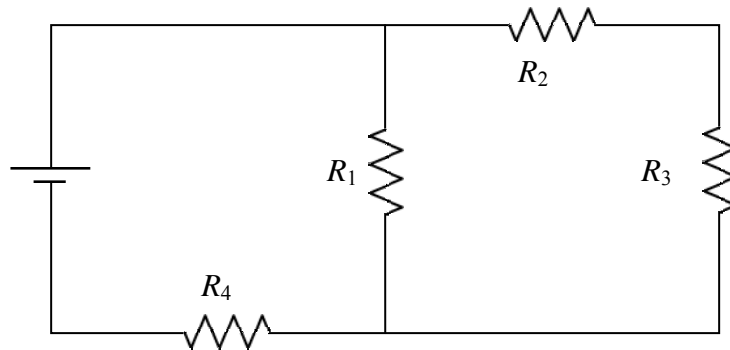


Name: \_\_\_\_\_ Section: \_\_\_\_\_

Tuesday, October 6

### Quiz 6B

The circuit below has four identical  $20\text{-}\Omega$  resistors and a  $20\text{-V}$  battery.



a. Determine the current through  $R_2$ .

b. Determine the power dissipated in  $R_4$ .

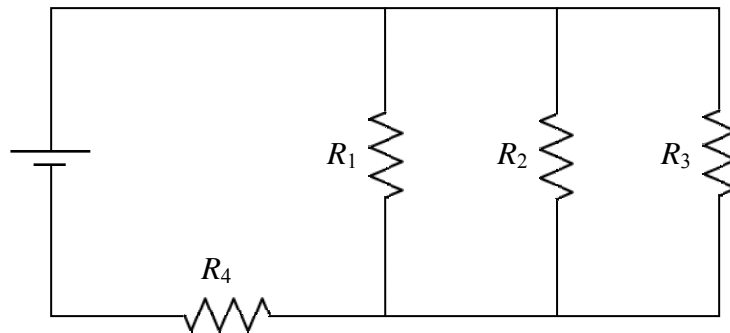


Name: \_\_\_\_\_ Section: \_\_\_\_\_

Tuesday, October 6

### Quiz 6D

The circuit below has four identical  $12\text{-}\Omega$  resistors and a  $20\text{-V}$  battery.



a. Determine the current through  $R_2$ .

b. Determine the power dissipated in  $R_4$ .